

**CLOSURE TECHNICAL SPECIFICATION**

PRODUCT:	ALUMINIUM PILFER PROOF CAPS WITH LINERS 31.5X18 MM
PRODUCT CODE:	CS3118

**PRODUCT DESCRIPTION :**

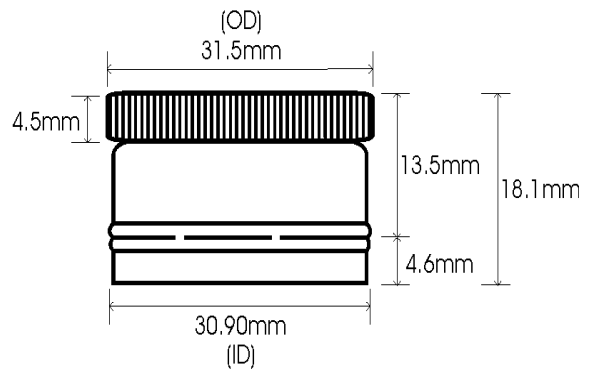
**APPLICATION :**

Liquor/ fruit juice

**TECHINCAL DRAWING:**



Dimensions



**MATERIALS USED**

ALUMINIUM		LINERS		LACQUERS AND INKS	
ALLOY	8011	STOPPER .:	EPE / SARANEX /	Internal Varnish:	VINYL
TEMPER	H14		TIN SARAN	External Varnish:	VINYL / POLYSTER
Specific Weight Kg/dm3	2.7	POURER :	YES	Inks:	ALKYD
Tensile stress at break Rm2N/r	110/150				
Tensile stress at yield Rp02	90/130				

**PACKAGING FEATURES**

**PRINTING FEATURES**

BOX		PRINTING FEATURES	APPLICABLE
Quantity per Box	4000 Nos.	Top litho printing	Yes
Box Dimensions	575x380x380 mm	Side litho printing	Yes
Box Material	5 Ply Corrugated Board	Side offset printing	NO
Internal Packaging	Transparent Plastic Bag	Side embossing-shaving	NO
Product Identification	Label on box		

SUITABILITY:All materials used by CAP & SEAL (INDORE) PVT. LTD to produce its caps and inserts are suitable for contact with foods/drinks and suitable for human consumption. laws concerning packaging in contact with foods for human consumption: All dimensions on technical drawings are expressed in mm.