

CLOSURE TECHNICAL SPECIFICATION

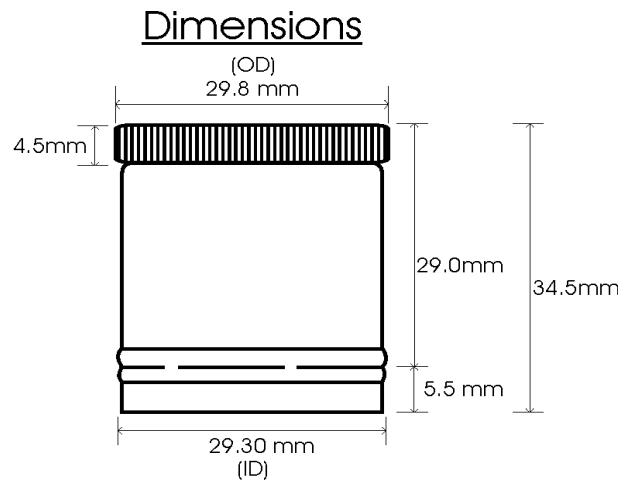
PRODUCT:	ALUMINIUM PILFER PROOF CAPS WITH LINERS 30x35 MM
PRODUCT CODE:	CS3035

PRODUCT DESCRIPTION :

APPLICATION :

SPIRITS, LIQUOR

TECHINCAL DRAWING:



MATERIALS USED

ALUMINIUM		LINERS		LACQUERS AND INKS	
ALLOY	8011	STOPPER .:		Internal Varnish:	VINYL
TEMPER	H14			External Varnish:	VINYL / POLYSTER
Specific Weight Kg/dm3	2.7	POURER :	YES	Inks:	ALKYD
Tensile stress at break Rm2N/r	110/150				
Tensile stress at yield Rp02	90/130				

PACKAGING FEATURES

PRINTING FEATURES

BOX		PRINTING FEATURES	APPLICABLE
Quantity per Box	2200 Nos.	Top litho printing	Yes
Box Dimensions	575x380x380 mm	Side litho printing	Yes
Box Material	5 Ply Corrugated Board	Side offset printing	yes
Internal Packaging	Transparent Plastic Bag	Side embossing-shaving	yes
Product Identification	Label on box		

SUITABILITY:All materials used by CAP & SEAL (INDORE) PVT. LTD to produce its caps and inserts are suitable for contact with foods/drinks and suitable for human consumption. laws concerning packaging in contact with foods for human consumption: All dimensions on technical drawings are expressed in mm.