



Cap & Seal

Indore Pvt.Ltd



Plot No.5, Flat No.302,3rd Floor,Rajgarh Kothi,Manoramaganj,Indore - 452001 India.

Tel: +91 731 2490296 Telefax: +91 731 4085400 E-mail: capandseal@capandseal.com

CLOSURE TECHNICAL SPECIFICATION

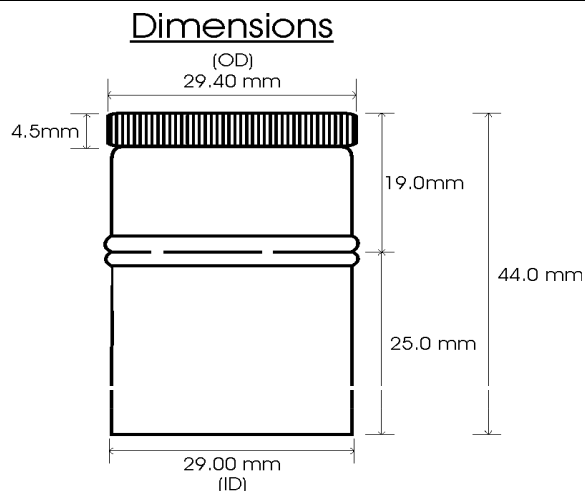
| | |
|---------------|---|
| PRODUCT: | ALUMINIUM PILFER PROOF CAPS WITH LINERS 30X44 MM |
| PRODUCT CODE: | CS2818 |

PRODUCT DESCRIPTION :

APPLICATION :

SPIRITS, Liquor,Olive oil

TECHINCAL DRAWING:



MATERIALS USED

| ALUMINIUM | | LINERS | | LACQUERS AND INKS | |
|--------------------------------|---------|------------|-----------------|-------------------|------------------|
| ALLOY | 8011 | STOPPER .: | EPE / SARANEX / | Internal Varnish: | VINYL |
| TEMPER | H14 | | TIN SARAN | External Varnish: | VINYL / POLYSTER |
| Specific Weight Kg/dm3 | 2.7 | POURER : | N.A. | Inks: | ALKYD |
| Tensile stress at break Rm2N/r | 110/150 | | | | |
| Tensile stress at yield Rp02 | 90/130 | | | | |

PACKAGING FEATURES

PRINTING FEATURES

| BOX | | PRINTING FEATURES | APPLICABLE |
|------------------------|-------------------------|------------------------|------------|
| Quantity per Box | 1500 Nos. | Top litho printing | Yes |
| Box Dimensions | 575x380x380 mm | Side litho printing | Yes |
| Box Material | 5 Ply Corrugated Board | Side offset printing | YES |
| Internal Packaging | Transparent Plastic Bag | Side embossing-shaving | NO |
| Product Identification | Label on box | | |

SUITABILITY:All materials used by CAP & SEAL (INDORE) PVT. LTD to produce its caps and inserts are suitable for contact with foods/drinks and suitable for human consumption. laws concerning packaging in contact with foods for human consumption: All dimensions on technical drawings are expressed in mm.