



Plot No.5, Flat No.302,3rd Floor,Rajgarh Kothi,Manoramaganj,Indore - 452001 India.
 Tel: +91 731 2490296 Telefax: +91 731 4085400 E-mail: capandseal@capandseal.com

CLOSURE TECHNICAL SPECIFICATION

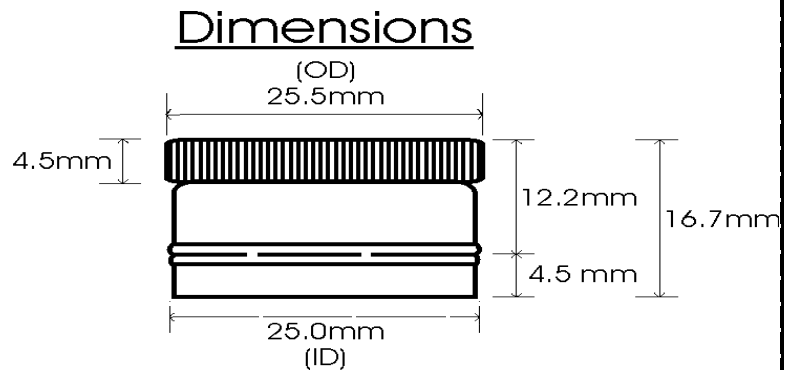
PRODUCT:	ALUMINIUM PILFER PROOF CAPS WITH LINERS
PRODUCT CODE:	CS2517

PRODUCT DESCRIPTION :

APPLICATION :

PHARMACEUTICALS, SPIRITS, SYRUPS

TECHINCAL DRAWING:



MATERIALS USED

ALUMINIUM		LINERS		LACQUERS AND INKS	
ALLOY	8011	STOPPER .:	EPE / SARANEX /	Internal Varnish:	VINYL
TEMPER	H14		TIN SARAN	External Varnish:	VINYL / POLYSTER
Specific Weight Kg/dm3	2.7	POURER :	N.A.	Inks:	ALKYD
Tensile stress at break Rm2N/r	110/150				
Tensile stress at yield Rp02	90/130				

PACKAGING FEATURES

PRINTING FEATURES

BOX		PRINTING FEATURES		APPLICABLE
Quantity per Box	7000 Nos.	Top litho printing		Yes
Box Dimensions	575x380x380 mm	Side litho printing		Yes
Box Material	5 Ply Corrugated Board	Side offset printing		No
Internal Packaging	Transparent Plastic Bag	Side embossing-shaving		YES
Product Identification	Label on box			

SUITABILITY:All materials used by CAP & SEAL (INDORE) PVT. LTD to produce its caps and inserts are suitable for contact with foods/drinks and suitable for human consumption. laws concerning packaging in contact with foods for human consumption: All dimensions on technical drawings are expressed in mm.